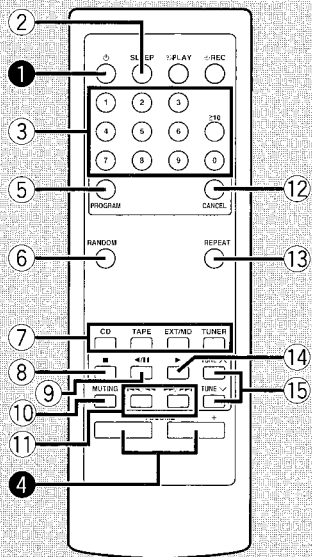


Front panel controls

Remote control

Buttons such as ②, ④ function the same as the buttons on the main unit

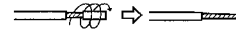


- ② Sleep timer button (SLEEP)
- ③ Numeric buttons
- ⑤ Program button (PROGRAM)
- ⑥ Random button (RANDOM)
- ⑦ Input selection buttons (CD, TAPE, EXT/MD, TUNER)
- ⑧ CD/tape stop button (■)
- ⑨ Tape reverse playback/CD pause button (◀/||)
- ⑩ Muting button (MUTING)
- ⑪ CD skip/search, tape fast forward/rewind buttons (|◀/◀◀, ▶▶/▶|)
- ⑫ Cancel button (CANCEL)
- ⑬ Repeat button (REPEAT)
- ⑭ CD play/tape forward playback button (▶)
- ⑮ Tuning buttons (TUNE ^, TUNE v)

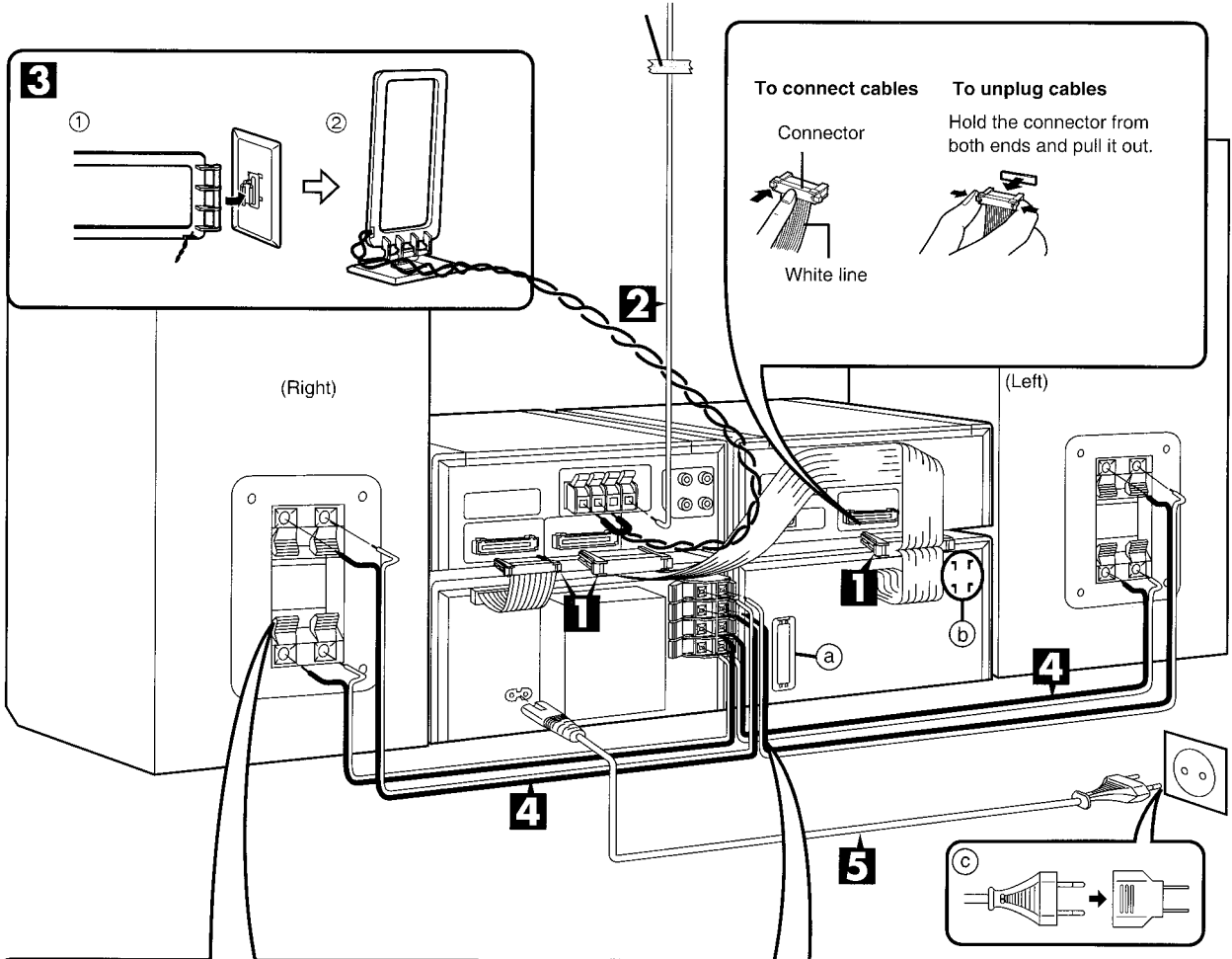
Connections

Connect the AC mains lead after you have connected all other cables.

To prepare the AM loop antenna wire, FM indoor antenna and speaker cords, twist the vinyl cover tip and pull off.



Adhesive tape

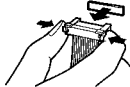
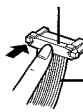


To connect cables

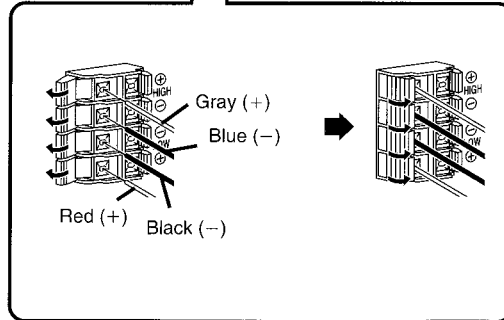
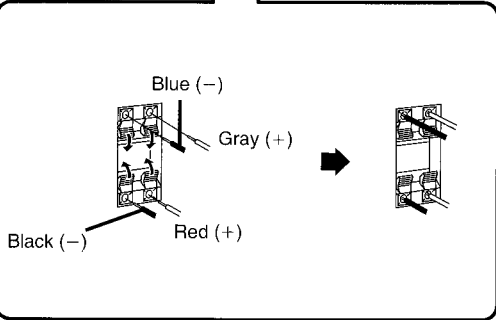
To unplug cables

Connector

Hold the connector from both ends and pull it out.

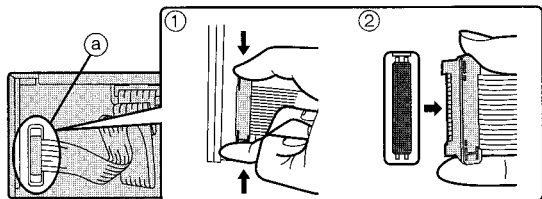


White line



Before connection

Disconnect the flat cable on the cassette deck. (a)



1 Connect the flat cables.

Connect the flat cables to the terminals on each unit.

Note

Do not connect or disconnect the flat cables while the unit is on.

After connection:

Keep cables as flat against the back of the unit as possible.

2 Connect the FM indoor antenna.

Tape the antenna to a wall or column where radio signals are received with the least amount of interference.

Note

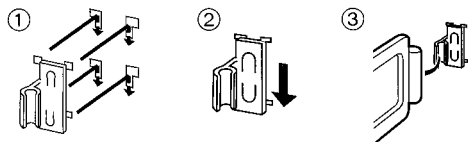
When you cannot get good reception with this FM indoor antenna, we recommend you install an FM outdoor antenna (not included).

3 Connect the AM loop antenna.

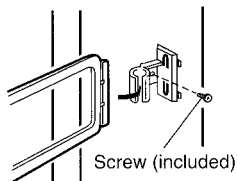
You can also install the AM loop antenna on the rear of the cassette deck, wall or pillars.

In this case, be sure to use the antenna holder with the hole.

- To install on the cassette deck rear (b)



- To install on walls or pillars



Note

Minimize noise by bundling the cord with tape to keep it away from the flat cables.

4 Connect the right (R) and left (L) speaker cables.

Connect the speaker cables to the terminal levers of the same color.

Use only the supplied speakers.

The combination of the main unit and front speakers provide the best sound. Using other speakers can damage the unit and sound quality will be negatively effected.

Note

- To prevent damage to circuitry, never short-circuit positive (+) and negative (-) speaker wires.
- Be sure to connect only positive (red or gray) wires to positive (+) terminals and negative (black or blue) wires to negative (-) terminals.

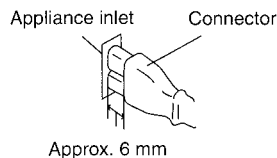
5 Connect the AC mains lead.

- ⓐ If the power plug will not fit your socket, use the power plug adapter (included).

Insertion of connector

Even when the connector is perfectly inserted, depending on the type of inlet used, the front part of the connector may jut out as shown in the drawing.

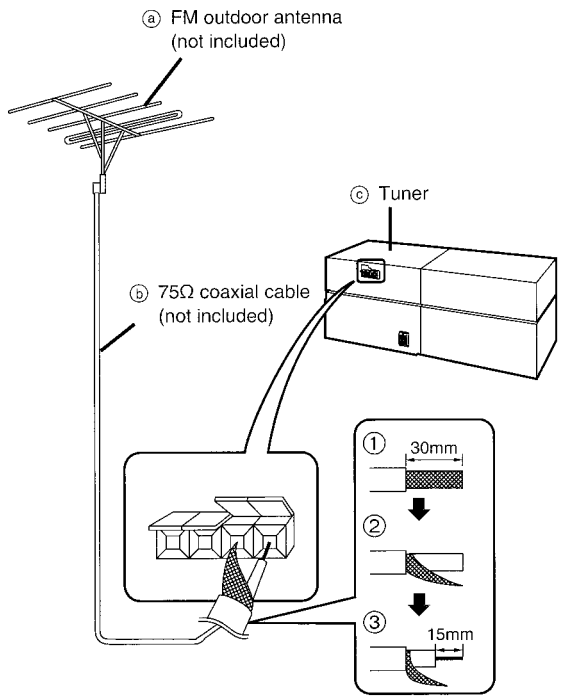
However there is no problem using the unit.



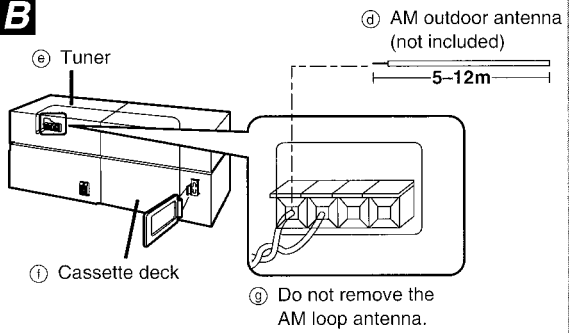
For your reference:

Information you enter into the unit's memory, except for the time, remains intact for up to two weeks after the mains lead is disconnected.

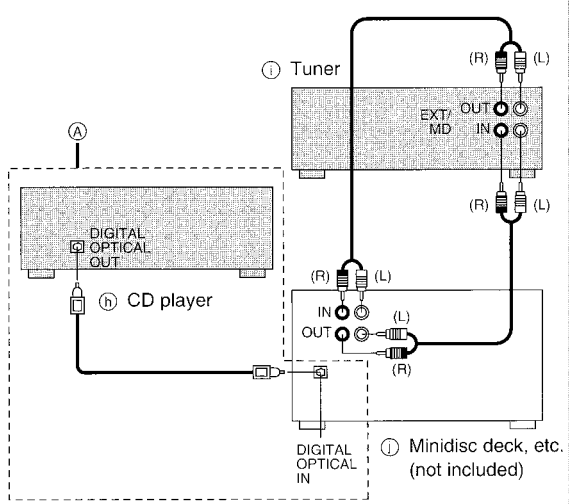
A



B



C



Connections

Optional antenna connections

You may need an outdoor antenna if you use this system in a mountainous region or inside a reinforced-concrete building, etc.

FM outdoor antenna (not included) A

Note

An outdoor antenna should be installed by a competent technician only.

AM outdoor antenna (not included) B

Connect the outdoor antenna without removing the AM loop antenna. Run 5 to 12 m of vinyl-covered wire horizontally along a window or other convenient location.

Note

When the unit is not in use, disconnect the outdoor antenna to prevent possible damage that may be caused by lightning. Never use an outdoor antenna during an electrical storm.

Connecting a minidisc deck, etc. C

- Make sure that the power supply for all components has been turned off before making any connections.
- For details, refer to the operating instructions of the external unit which is to be connected.
- All peripheral components and cables sold separately.

Stereo connection cable

White (L)

Red (R)

Connections to "DIGITAL OPTICAL OUT" terminal: A

Before using this terminal, take out the dust protection cap. Connect an optical-fiber cable to the optical input terminal of the minidisc deck (not included).

